

Konsyte Kit Includes



Konsyte



Hardwire Power Harness



OBDII Adapter (optional)



I/O Harness



Relay/Socket (optional)



INSTALLING SAREKON DEVICE FOR THE FIRST TIME? PLEASE CALL 888-726-3511 OPTION 2 FOR SUPPORT

STEP 1 Search and download the Sarekon Installation App from Google Play or Apple App Store before beginning. Search “Sarekon Installation” or scan the QR Code provided (FIG 1).

STEP 2 Find a suitable mounting location for the Konsyte device *inside the vehicle*. Preferably under the vehicle dash pad, direct line of sight to the sky, no metal above **Label Side Facing Down**

STEP 3 If using optional OBDII ADAPTER, connect red/black corresponding 2-pin connectors on specialized power harness, to OBDII adapter and to the device (FIG 4). Next, plug male end of OBDII adapter into the vehicle’s original OBDII port. Last, install female end of OBDII port adapter in the OBDII’s original location, secured by existing or provided mounting bracket. *Skip to STEP 5*

If HARDWIRING, connect the red wire from the device to a constant 12 volt power source.

Installation Best Practices: Use a voltage meter to confirm proper voltage to the device. Measure voltage at the vehicle battery with the car off and the keys removed from the ignition switch. The power feed for the device can be found directly from a 12V constant inside the vehicle cabin. A good location to utilize is the back of the ODBII Port at PIN 16 for power (FIG 1). **Voltage on a wire that is slightly less than the reading at the vehicle’s battery indicates that the wire is not directly from the battery feed and should not be used.**

STEP 4 Connect the black wire from the device to solid ground. Sheet metal screw to chassis or OBDII Port PIN 4 (FIG 2).

STEP 5 Proceed with installation app step-by-step instructions to verify proper installation.

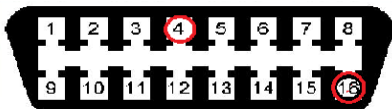
To check manually, first confirm the green and orange LED lights on the device are both solid. If the green LED light is blinking confirm that the vehicle is outdoors (FIG 3). **Device must be unobstructed (outdoors/no metal above) in order to obtain initial GPS fix.**

STEP 6 Send and confirm successfully completed locate command to the device. *Proceed to STEP 7 for starter interrupt.*



(FIG 1)

(FIG 2)

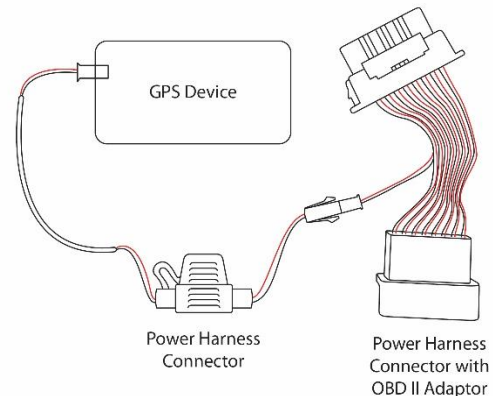


OBDII PIN #	Description
4	Chassis Ground
16	Battery Power

(FIG 3)

LED COLOR	Function	Led Behavior
Green	GPS	Blinking = Searching Solid = Connected
Orange	Cellular	Blinking = Searching Solid = Connected

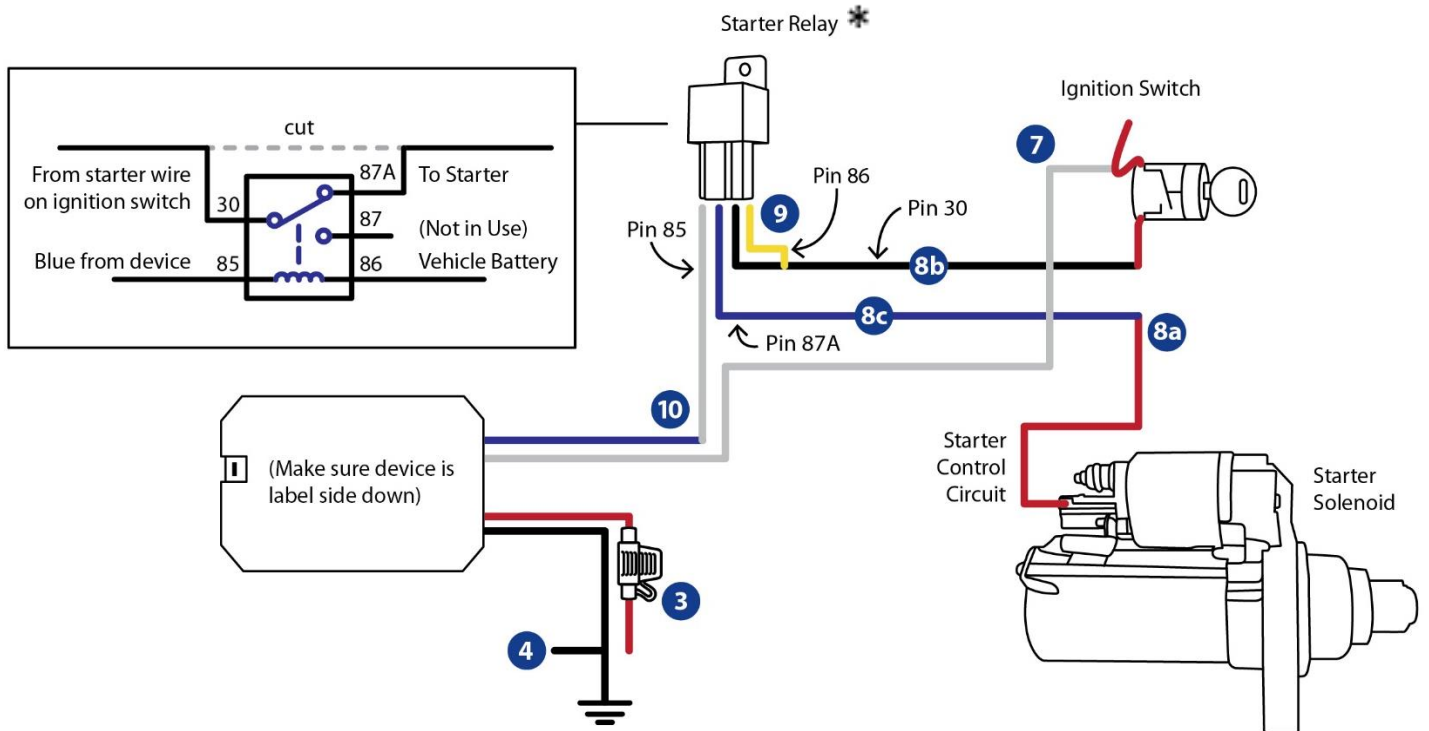
(FIG 4)



(Detailed Starter Interrupt Instructions on Reverse)



INSTALLING SAREKON DEVICE FOR THE FIRST TIME? PLEASE CALL 888-726-3511 OPTION 2 FOR SUPPORT



* Be sure to always reference relay PIN numbers, as actual wire coloring may vary.

(Continued from front – Optional Starter Interrupt Relay Installation)

STEP 7 Connect white wire from the device to vehicles key ignition power

STEP 8 (a) Cut vehicle starter wire.

(b) Connect black wire from the relay (PIN 30) to the ignition side of the vehicle starter wire.

(c) Connect blue wire from the relay (PIN 87A) to the starter side of the vehicle starter wire

STEP 9 Connect yellow wire (PIN 86) from the device to the black wire (PIN 30) of the relay or to key on ignition dependent 12-volt power source

STEP 10 Connect blue wire from the device to the white wire (PIN 85) of the relay

STEP 11 Send and confirm successfully completed starter auto-disable command.

STEP 12 Confirm disable was performed by first moving vehicle key ignition to ON position for at least 15 seconds. Then remove the key from the ignition and wait at least fifteen seconds (allow up to 90 seconds) for Sarekon system to recognize the ignition off status. Attempt to start the vehicle. If all steps are followed in this sequence the vehicle should not crank on subsequent attempts.

STEP 13 Send and confirm successfully completed starter enable command.

STEP 14 Assemble vehicle back together and test all other functionality of the device and normal vehicle operation before delivery.